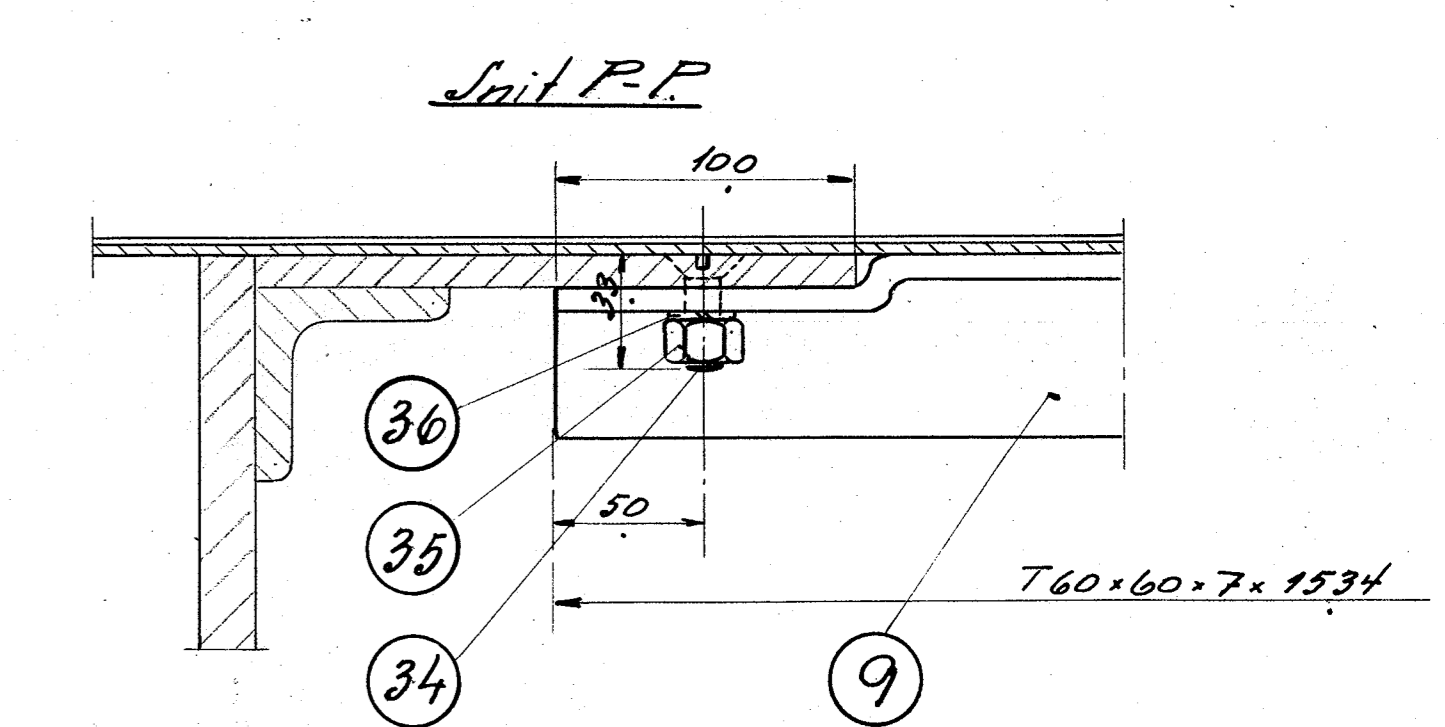
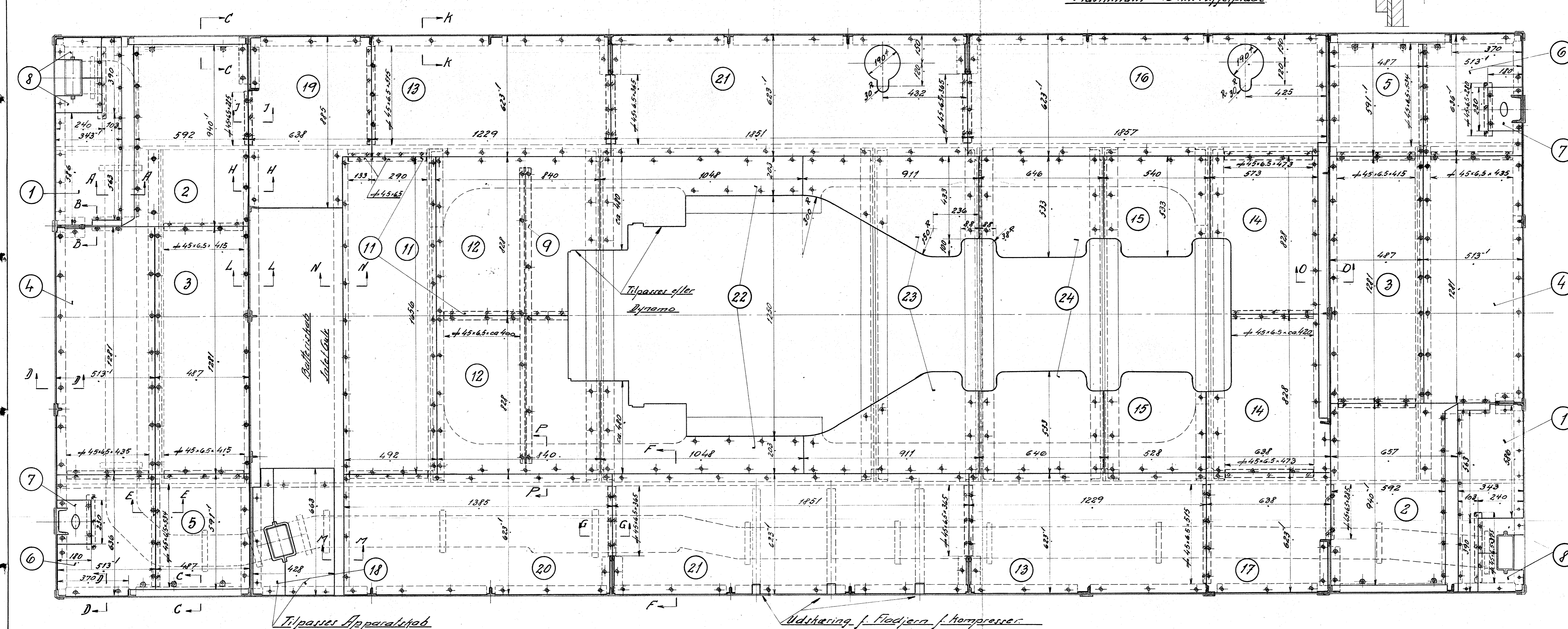


60128		a	
STYKKE	BESKRIVELSE	MÅL	PR. STYKKE
2	Plade	1	2000
2	"	2	10004
2	"	3	2600
2	"	4	10104
2	"	5	1250
2	"	6	10504
2	Parplade	7	Affald
4	"	8	"
1	T Jern	9	160160
1/2	Lothet forst. Lgd.	10	1160
2	Rillet Plade 492 x 828 x 1/2"	11	3000
2	" " 840 x 828 x 1/2"	12	1500 1/2
2	" " 1229 x 623 x 1/2"	13	"
2	" " 638 x 828 x 1/2"	14	"
2	" " 528 x 533 x 1/2"	15	"
1	" " 1857 x 623 x 1/2"	16	3000
1	" " 638 x 623 x 1/2"	17	1500 1/2
1	" " 2delt	18	"
1	" " 638 x 885 x 1/2"	19	"
1	" " 1385 x 623 x 1/2"	20	"
2	" " 1851 x 623 x 1/2"	21	17270de
2	" " "	22	3000
2	" " "	23	1500 1/2
2	" " "	24	"
10	Knaest	25	420 x 65 x 250
200	Skruer 5/16 x 10	26	170g
80	" " 10	27	"
140	" " 13	28	"
60	" " 35	29	"
60	Matrik 5/16	30	"
60	Skraa Underlagsskive 5/16	31	"
110	Nagle 8 x 18	32	Nitløjn
20	Skruer 3/4 x 10	33	Fuustjern
4	" " 1/2 x 33	34	"
4	Matrik 1/2	35	"
4	Fjederstiver	36	Staal

Alle Plader tilpasses
 Førerpladerne 4mm Plade
 Maskinerum 4mm Rilleplade



Gulv.		1:1	R.T.
Dissej. 275/300th. Motorloko.		1:10	Qu.
		8-1-36	
		137L-1510.	